



© WETSTYLE

Ove

## BOV 01-66

inch 66x30x24.75 mm 1676x762x629

### interior dimensions

rim: inch 64x28 mm 1626x711  
base: inch 55.75x20.25 mm 1416x514  
height: inch 20.5 mm 521

### capacity to overflow

gal (us) - 70 liters - 263

### weight

lb - 182 kg - 83

### installation

freestanding

### overflow

built-in  
slot design  
polished chrome or  
brushed nickel

### drain

soft toe touch  
polished chrome or  
brushed nickel

### standard drain installation type

horizontal TEE connection

### optional drain installation type

direct Vertical drain connection

### material

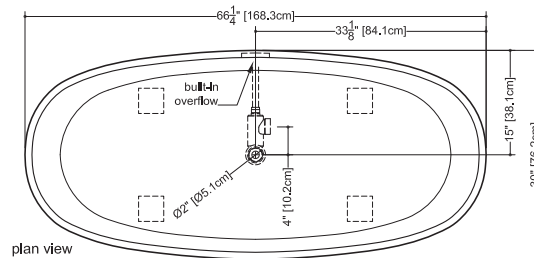
WETMAR™, true high gloss  
or matte finish

### color

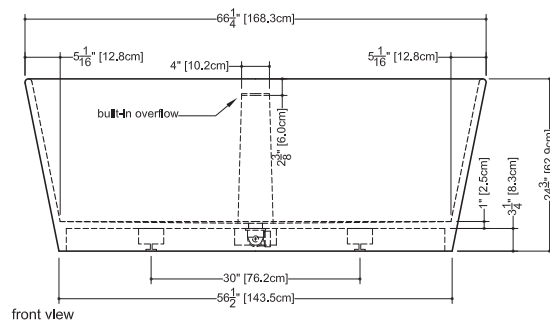
white

### codes/standards applicable

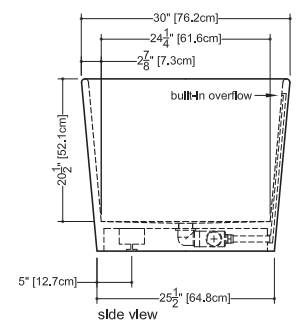
IAPMO-ANSI Z124.1  
IAPMO-ANSI Z124.3  
CSA B 45.0 - CSA B45.4



plan view



front view



side view

### faucet area recommended

wall-mounted or floor-mounted

### option :

columns for wall or  
deck-mounted faucets  
(refer to the Column collection)

WETSTYLE cannot be held responsible for any technical errors and reserves the right to make revisions without notice.

Approximate measurement.  
The manufacturer accept 1/4" (6.35mm) variance.

www.WETSTYLE.CA - Montreal - Canada  
Tel. 450.536.9000 - 1 888.536.9001 - Fax. 450.536.0202

