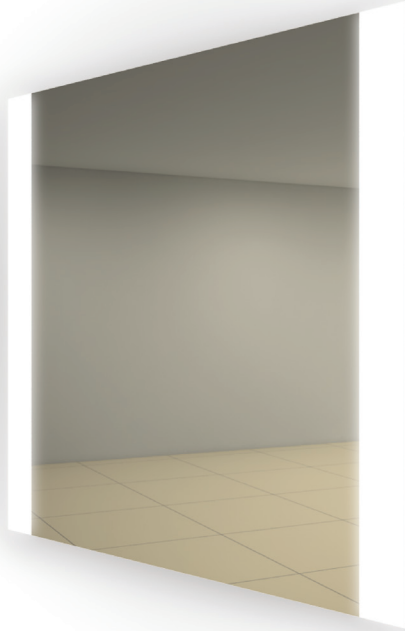


NOVO™ LIGHTED MIRROR

Hospitality Performance Specification



The Novo™ Lighted Mirror is a stylish, modern alternative to bathroom sconces, providing natural lighting and a soft glow on the wall behind.

THERE'S ONLY ONE ELECTRIC MIRROR™

Electric Mirror is the global leader in lighted mirrors and Mirror TV technology. With unparalleled customer service and amazing innovation, Electric Mirror is the standard of luxury for five-star hotels, upscale commercial projects and designer homes.

FEATURES

- Elife™-8 Years extended lamp replacement cycle
- Zip finger-print protection for edge frosted mirrors
- Brilliant chassis design for increased light output
- Natural light color ideal for makeup application
- HardCoat™ anti-corrosion mirror treatment
- Rust resistant powder coated metal construction
- Environmentally sustainable and energy efficient
- Proudly made in the USA
- Patented (US D579,671)
- Wall Glow
- Stainless steel hanger
- Welded Construction

LIGHTING

- Low-Mercury T5HO warm fluorescent (US Made)
- CRI 85
- CCT (K) 3000
- Average lamp life of 35,000 hours
- Lamps can be seen from sides of mirror
- 50,000 cycle ballast

OPTIONS

- Diamond Clear™ extra white mirror
- Dimmable - Separate wall control required
- Defogger
- Night Light
- Add Frame (See Ovation™ Lighted Mirror)
- Add TV (See Novo™ Lighted Mirror TV)
- Custom Sizes
- Glass Shelf
- LED Digital Clock
- LED Lighting
- Side Diffusers
- 20 Amp, 120 VAC GPCI receptacle

SAFETY

- Tested to UL/UL-C 1598 including section 16.23 (adhesive support test)
- International Certifications
- Safety backed mirror

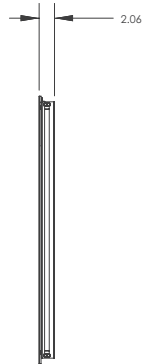
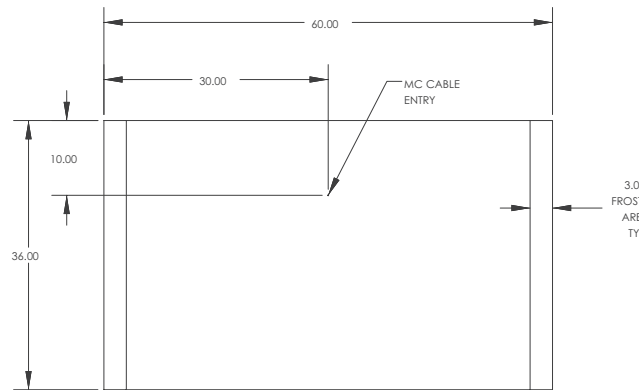
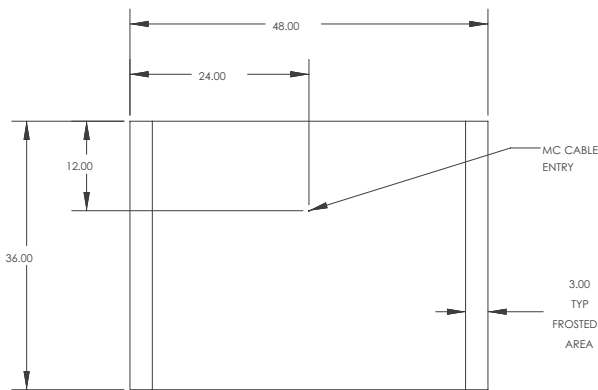
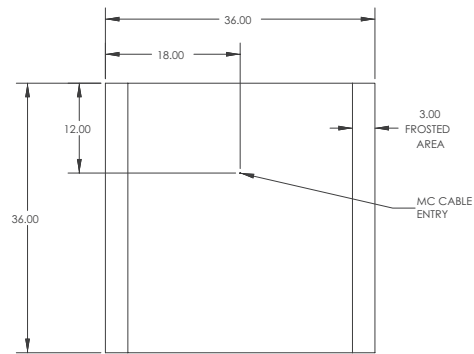
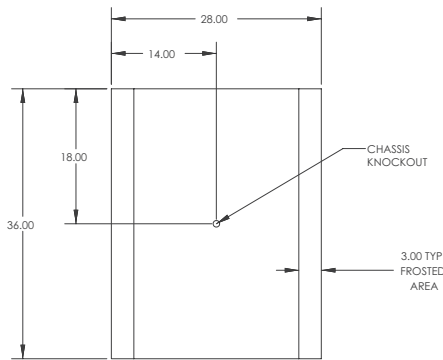
NOVO™ LIGHTED MIRROR

Hospitality Performance Specification

SPECIFICATION

- The top of the lighted mirror above the bathroom vanity should be a minimum of 6' 6" above the finished floor.
- Electrical connections made with MC cable brought through the chassis knockout, no electrical box required.
- Electrical power should be controlled by a light switch.
- Fixture should be mounted to wall studs to provide sufficient support. Mounting holes are provided in the chassis.

MODEL NUMBER	DIMENSIONS	POWER REQUIREMENTS	LAMPING
NOV-28.00x36.00	28" W x 36" H x 2" D 711mm x 914mm x 51mm	120 - 277 VAC, .70 - .28 Amps, 78W	2 x T5HO, 39W
NOV-36.00x36.00	36" W x 36" H x 2" D 914mm x 914mm x 51mm	120 - 277 VAC, .70 - .28 Amps, 78W	2 x T5HO, 39W
NOV-48.00x36.00	48" W x 36" H x 2" D 1,219mm x 914mm x 51mm	120 - 277 VAC, .70 - .28 Amps, 78W	2 x T5HO, 39W
NOV-60.00x36.00	60" W x 36" H x 2" D 1,524mm x 914mm x 51mm	120 - 277 VAC, .70 - .28 Amps, 78W	2 x T5HO, 39W



PROPRIETARY AND CONFIDENTIAL: The information contained in this specification is the sole property of Electric Mirror®. Any reproduction in part or in whole without written permission from Electric Mirror® is prohibited.

© 2012 ELECTRIC MIRROR®